



## » The Telescopic System

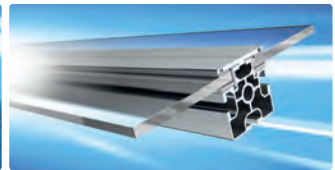
English  
1/2020  
EUR

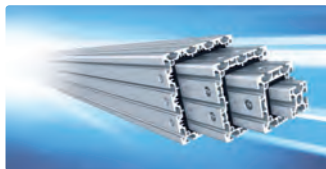
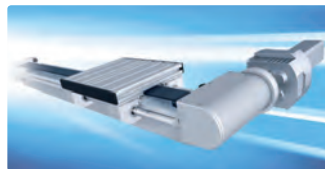
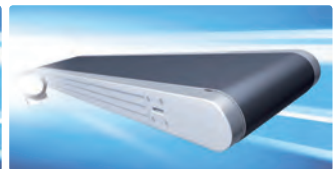
 **MayTec**<sup>®</sup>




**The Profile System**

**The Clean-Room System**

**Safety Barriers**

**The Modular Wall System**

**The Tube Clamping System**

**The Telescopic System**

**The Linear System**

**The Conveyor System**

**The Personnel Transfer System**

**The Skid Transfer System**

**The Dust Protection System**

**The Pipe & Joint System**

**The Trailer System**

**powered by**

**MayCAD**  
Design Software

**MayTube**  
Design Software

### The ideal profile system

MayTec offers a comprehensive, harmonised profile system. All profiles can be combined in any way conceivable.

The accessories provide functional and aesthetic solutions for a wide range of applications.

### Applications

- machine bases
- machine enclosures
- machine guarding
- work stations

### Service

The MayTec service is as versatile as the MayTec profile system.

You may choose:

- delivery of standard elements ex-factory
- delivery of profiles and accessories cut to size according to parts list for customer's assembly
- delivery of pre-fitted modular components
- delivery of completely assembled units
- assembly at your premises

- assembly and inspection stations
- transfer and supply trolleys
- partitions and protective walls
- protective and work cabinets

### Implementation

The MayTec profile system is easy to process and quick to assemble. Its flexible and modular construction means it can be easily modified and is reusable at any time.

An experienced team will support you in implementing the MayTec system, tailored to your individual applications, taking into consideration your dimensions, loading capacity and stability.

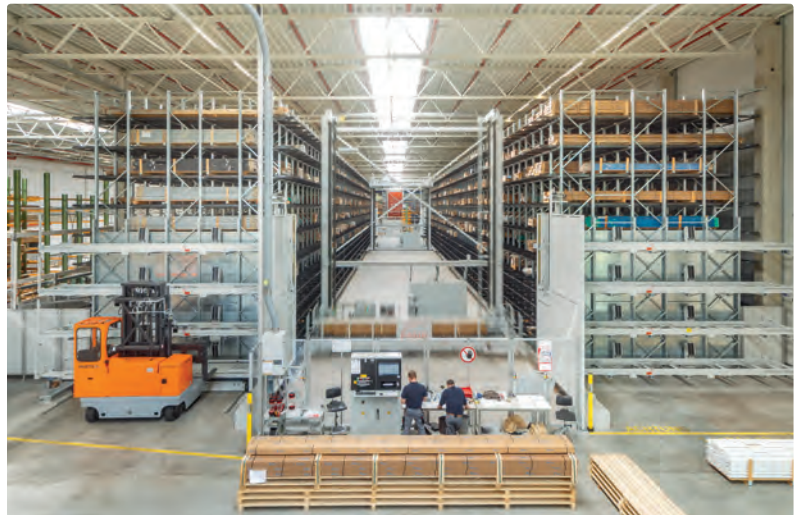
- special shelves
- plant equipment
- display systems
- exhibition cabinets and stands



MayTec GmbH plant in Olching



Accessory storage



Stock of aluminium profiles

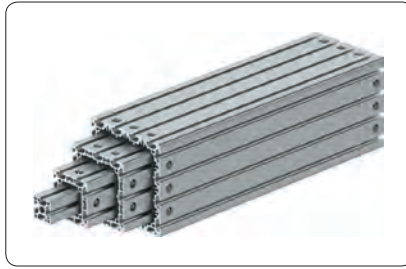


Panel storage



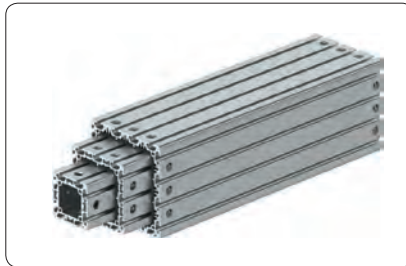
Profile machining

## Variations


**Telescopic profile 160×160, 16E, SP**

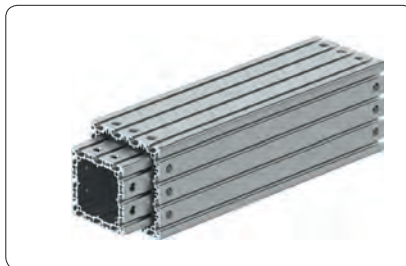
3-row sliding T-nut with

- telescopic profile 120×120, 12E, SP
- telescopic profile 80×80, 8E, SP
- profile 40×40, 4E, SP


**Telescopic profile 160×160, 16E, SP**

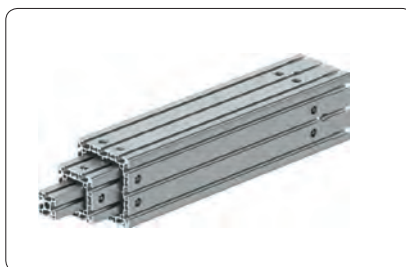
3-row sliding T-nut with

- telescopic profile 120×120, 12E, SP
- telescopic profile 80×80, 8E, SP


**Telescopic profile 160×160, 16E, SP**

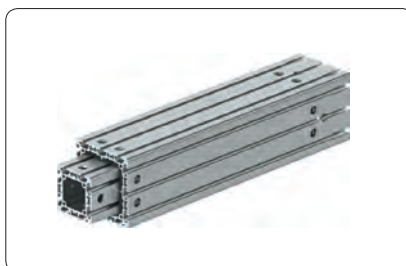
3-row sliding T-nut with

- telescopic profile 120×120, 12E, SP


**Telescopic profile 120×120, 12E, SP**

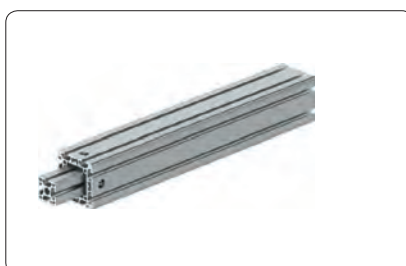
2-row sliding T-nut with

- telescopic profile 80×80, 8E, SP
- profile 40×40, 4E, SP


**Telescopic profile 120×120, 12E, SP**

2-row sliding T-nut with

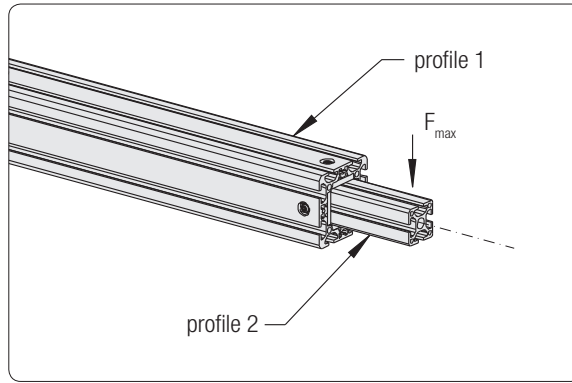
- telescopic profile 80×80, 8E, SP


**Telescopic profile 80×80, 8E, SP**

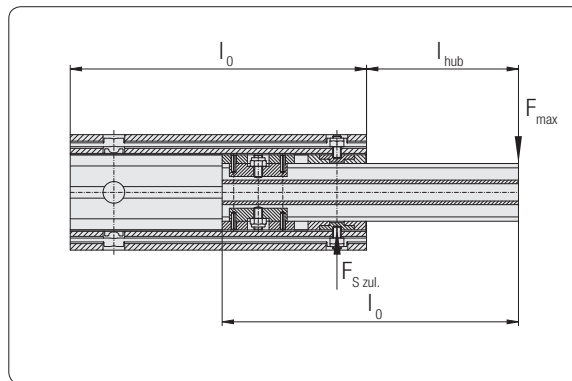
1-row sliding T-nut with

- profile 40×40, 4E, SP

Maximum admissible force  $F_{max}$



Maximum admissible force  $F_{max}$  perpendicular to center line

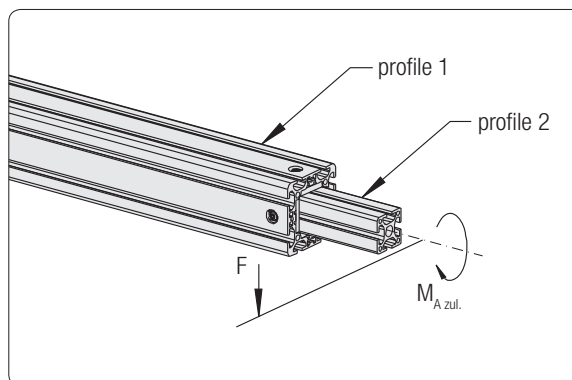


$$F_{max} = \frac{F_{S\ zul.} \cdot (l_0 - l_{hub} - 45.5)}{l_0 - 25}$$

Profile 1	Profile 2	$F_{S\ max}$		
		Sliding blocks		
		1-rowed	2-rowed	3-rowed
80×80	40×40	5,000 N	-	-
120×120	80×80	-	9,000 N	-
160×160	120×120	-	5,000 N	7,500 N

Maximum admissible moment

$M_{A\ max}$



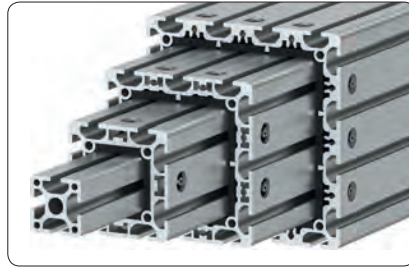
Maximum admissible Moment  $M_{A\ max}$  generated by a force  $F$  radial to center line.

Profile 1	Profile 2	$M_{A\ max}$
80×80	40×40	400 Nm
120×120	80×80	900 Nm
160×160	120×120	800 Nm

<p><b>heavy</b></p>		<p><b>Technical data</b>          material: Al Mg Si 0,5 F22          tensile strength: 220 N/mm<sup>2</sup>          surface: natural anodised</p>
Description		Telescopic profile 80×80, 8E, SBP
bar, 6 m		9.11.080080.83SBP.60
moment of inertia	cm <sup>4</sup>	$I_x = 150.0$ $I_y = 150.0$
moment of resistance	cm <sup>3</sup>	$W_x = 37.5$ $W_y = 37.5$
weight	kg/m	G = 5.2

<p><b>heavy</b></p> <p><b>Technical data</b>          material: Al Mg Si 0,5 F22          tensile strength: 220 N/mm<sup>2</sup>          surface: natural anodised</p>			<p><b>heavy</b></p> <p><b>Technical data</b>          material: Al Mg Si 0,5 F22          tensile strength: 220 N/mm<sup>2</sup>          surface: natural anodised</p>		
Description		Telescopic profile 120×120, 12E, SP	Description		Telescopic profile 160×160, 16E, SP
bar, 6 m		9.11.120120.123SP.60	bar, 6 m		9.11.160160.163SP.60
moment of inertia	cm <sup>4</sup>	$I_x = 554.0$ $I_y = 554.0$	moment of inertia	cm <sup>4</sup>	$I_x = 1,424.0$ $I_y = 1,424.0$
moment of resistance	cm <sup>3</sup>	$W_x = 93.0$ $W_y = 93.0$	moment of resistance	cm <sup>3</sup>	$W_x = 178.0$ $W_y = 178.0$
weight	kg/m	G = 7.8	weight	kg/m	G = 10.7

Sliding blocks for telescopic profile



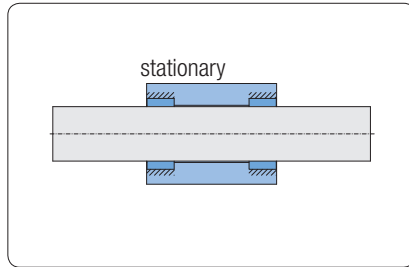
Application

Guide slot for telescopic profiles with sliding blocks

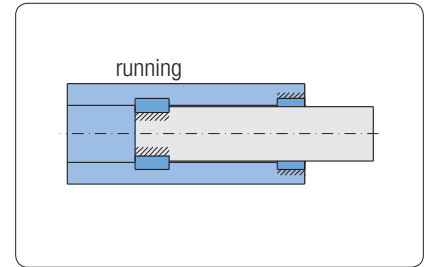
Technical data

material: PA6G oil  
colour: black

Guide Variations

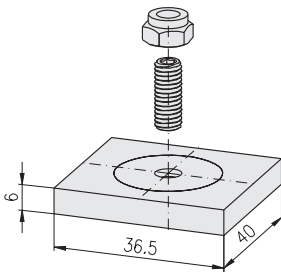
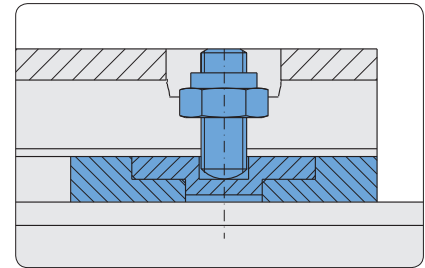
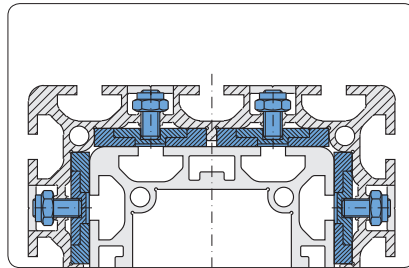


Sliding block, stationary



Sliding block, running

Sliding block, stationary for telescopic profile

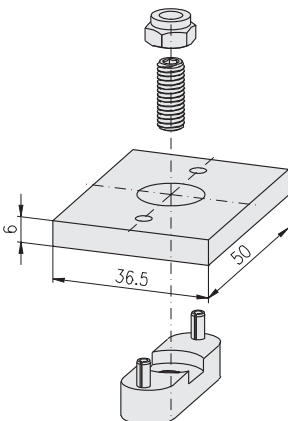
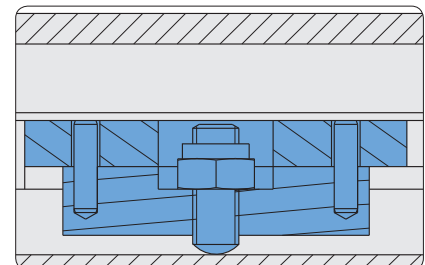
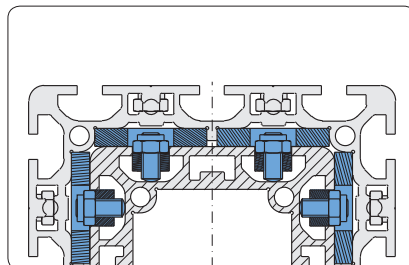


Description

Description	Weight	Product-No.
Sliding block, stationary, 40×36.5	7.6 g	9.67.1014036
Bush for sliding block, stationary	10.8 g	9.67.1024
Setscrew, special, M6×16, with spherical head, stainless	2.6 g	0.63.MT091X.06016
Setscrew, special, M6×17, with spherical head, stainless <sup>1)</sup>	2.5 g	0.63.MT091X.06017
Hexagonal nut, DIN 985 - M6	2.1 g	0.61.D00985.06

<sup>1)</sup> for Telescopic profile 160×160, 16E, SP

Sliding block, running for telescopic profile

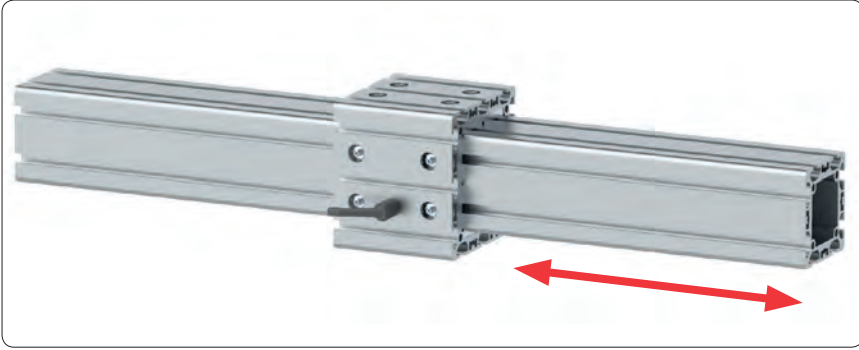


Description

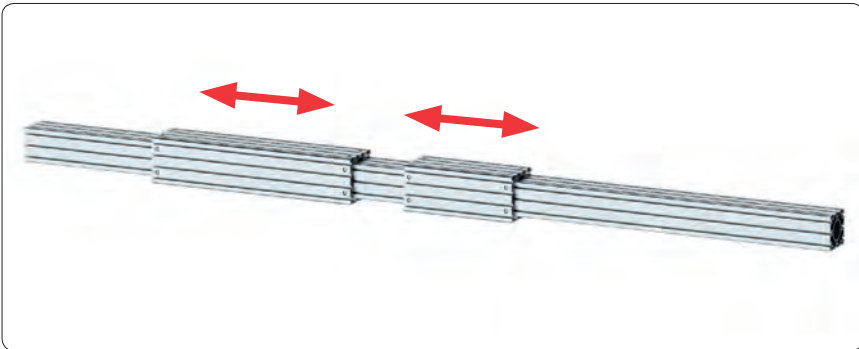
Description	Weight	Product-No.
Sliding block, running, 50×36.5	10.5 g	9.67.1015036
Feather key, A 14×9×40, thread M6, with 2 dowel pins	31.0 g	9.67.1024.1409040
Setscrew, special, M6×16, with spherical head, stainless	2.6 g	0.63.MT091X.06016
Setscrew, special, M6×17, with spherical head, stainless <sup>1)</sup>	2.5 g	0.63.MT091X.06017
Hexagonal nut, DIN 985 - M6	2.1 g	0.61.D00985.06

<sup>1)</sup> for Telescopic profile 160×160, 16E, SP

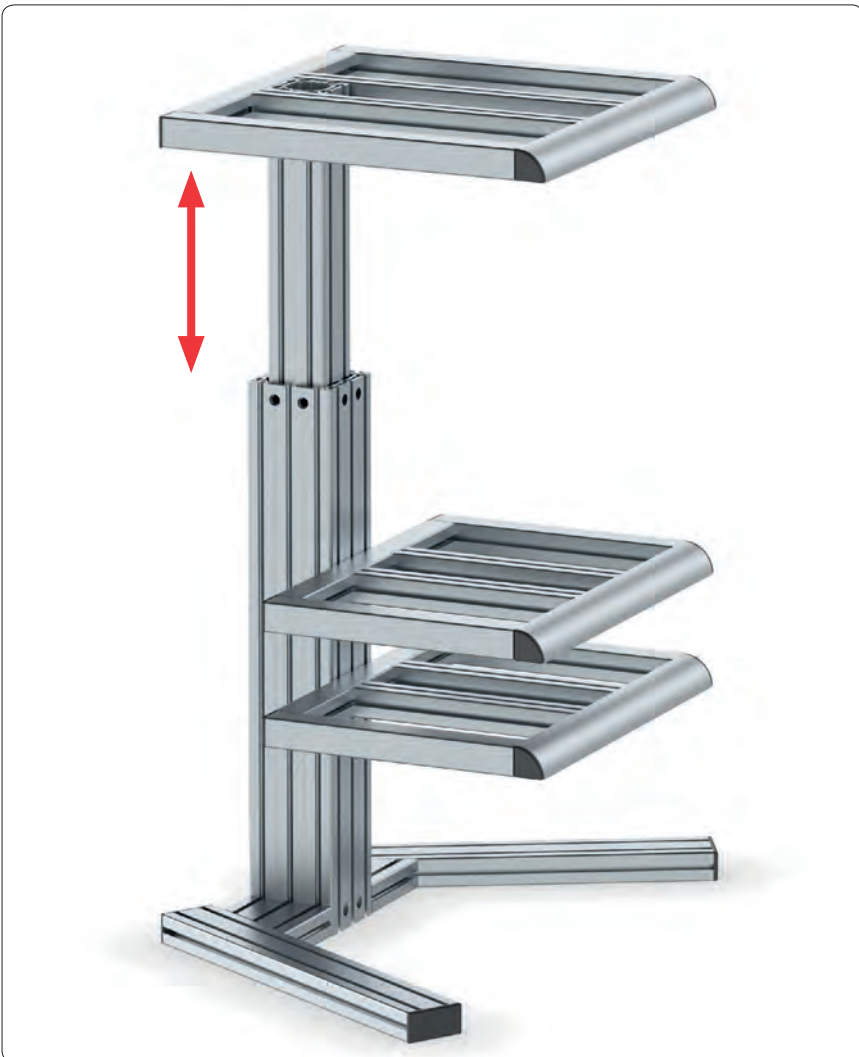




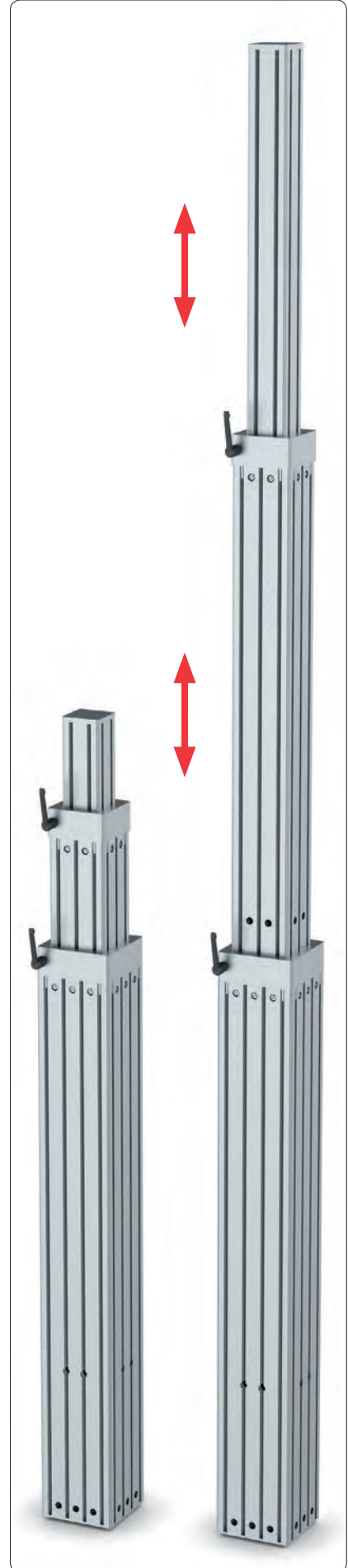
fixation with clamping lever



double carriage system



high adjustable standing desk



3 stepped system

**Order comments**

- Definition of quantities  
 Product-Number  
 □.□□.□□□□□□.□□□□.60 = 1 bar  
 □.□□.□□□□□□.□□□□.61 = 1 PU (Packing Unit)  
 □.□□.□□□□□□.□□□□.99 = 1 PU of 100 pieces
- Cut to length (= saw cut *↔* catalogue "The Profile System 1/2018, English" page 59ff)  
 Price for cut to length = price (€/m) of bar + price of profile machining for saw cut + surcharge for scrap

**Prices for profile machining**

Page	Description	1 Piece	
		€/Piece	
55	Saw cut, price group 1 (A-E)	1,50	
55	Saw cut, price group 2 (F-K)	2,30	
55	Saw cut, price group 3 (L-P)	3,00	
56	Cross bushing bore for connectors (A-K, X)	1,50	
56	Bore for parallel-connector (Z)	2,60	
56	Cross bore (Q)	1,50	
56	Thread (L-W, Y)	2,00	
	Surcharge for scrap:	10 %	

Page	Product-No.	Description	bar		
			length (m)	€/m	€/bar
2	9.11.080080.83SBP.60	Telescopic profile 80×80, 8E, SBP	6	55.97	335.84
2	9.11.120120.123SP.60	Telescopic profile 120×120, 12E, SP	6	83.98	503.86
2	9.11.160160.163SP.60	Telescopic profile 160×160, 16E, SP	6	121.55	729.30

Page	Product-No.	Description	1 Piece	PU = 100 Pcs	
			€/Piece	€/Piece	€/PU
3	0.61.D00985.06	Hexagonal nut, DIN 985 - M6	0.18	0.161	16.06
3	0.63.MT091X.06016	Setscrew, special, M6×16 with spherical head, stainless	0.69	0.623	62.34
3	0.63.MT091X.06017	Setscrew, special, M6×17 with spherical head, stainless	0.69	0.623	62.34
3	9.67.1014036	Sliding block, stationary, 40×36.5	4.46	4.014	401.43
3	9.67.1015036	Sliding block, running, 50×36.5	3.10	2.786	278.64
3	9.67.1024	Bush for sliding block, stationary	2.99	2.692	269.20
3	9.67.1024.1409040	Feather key, A 14×9×40, thread M6, with 2 dowel pins	3.87	3.485	348.54

**Commercial Terms and Conditions**

- Prices:
- All prices are valid in EUR.
  - Prices do not include freight and packing.
  - Sales Tax, if payable, will be charged at the applicable rate.
  - Unless otherwise specified, all prices listed are for one item.
- Payment:
- All orders are C.O.D. until credit approved.
  - 2 % discount if paid within 14 days. All balances are due within 30 days of invoice.
  - F.O.B. Shipping Point.
- Minimum Order:
- A surcharge of EUR 15.00 will apply to all orders less than EUR 150.00.
- Restocking Fee:
- In case of returned goods, a 20 % restocking fee will be charged with a minimum fee EUR 25.00.
- Price Validity:
- This price list replaces all previous price lists. Error and price change are excepted.
- Conditions:
- Subject to the 'General Terms and Conditions of Sale' available on request.

**Imprint**

Subject to technical modification.

All rights reserved.

Copying - also in parts - only allowed by  
written consent.

© MayTec Aluminium Systemtechnik GmbH,  
Germany, D - 82140 Olching, 2019

The key ...

to success

extremely strong

efficient

functional

### Australia

**MayTec Australia P/L**  
Unit 8, 175 James Ruse Drive  
Rosehill, NSW 2142

country code: +61  
phone (0)2/9898 9929  
fax (0)2/9638 4086  
info@maytec.com.au  
www.maytec.com.au

### Germany

**MayTec Aluminium**  
Systemtechnik GmbH  
Gewerbering 16  
D-82140 Olching

country code: +49  
phone (0)8142/6540-0  
fax (0)8142/6540-119  
mail@maytec.de  
www.maytec.de

### USA

**MayTec Inc.**  
901 Wesemann Drive  
West Dundee, IL 60118

country code: +1  
phone 847-429-0321  
fax 847-429-0460  
mail@maytecinc.com  
www.maytecinc.com

**MayTec distributor**